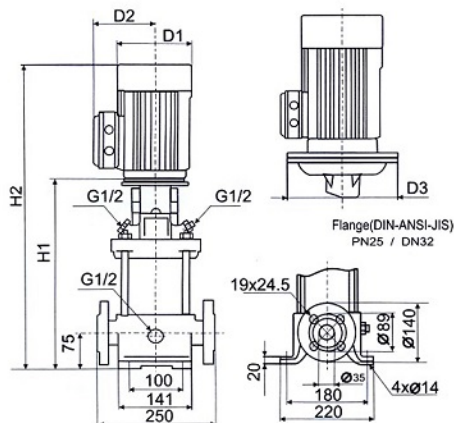


Vertical Multistage Centrifugal in - line Pump

Dimensions and weights - PCR 5



General Specification

Output size:	25 to 125 mm
Capacity:	0.7-180 m ³ /hr
Head:	275 m
Operation Temperature:	-15 to +120
Main Connection (1-[v/Hz]):	220-240 V, 50 Hz
Main Connection (3-[v/Hz]):	380-415 V, 50 Hz
Insulation Class:	F
Enclosure Class:	IP 55
Ambient Temperature:	50°C

Pump type	Motor		Pump Flanges (mm)	PCR					Net weight (kg)
	P [kW]	rpm		Dimension(mm)					
				DIN flange H1	H2	D1	D2	D3	
PCR 5-2	0.37	2900	32	279	474	141	115	-	23.3
PCR 5-3	0.55			306	501	141	115	-	24.2
PCR 5-4	0.55			333	528	141	115	-	24.8
PCR 5-5	0.75			366	601	141	115	-	27.4
PCR 5-6	1.1			393	628	141	115	-	29.1
PCR 5-7	1.1			420	655	141	115	-	29.6
PCR 5-8	1.1			447	682	141	115	-	30.1
PCR 5-9	1.5			490	781	177	141	-	39.3
PCR 5-10	1.5			517	808	177	141	-	39.9
PCR 5-11	2.2			544	835	177	141	-	43.2
PCR 5-12	2.2			571	862	177	141	-	43.7
PCR 5-13	2.2			598	889	177	141	-	44.2
PCR 5-14	2.2			625	916	177	141	-	44.8
PCR 5-15	2.2			652	943	177	141	-	45.2
PCR 5-16	2.2			679	970	177	141	-	45.8
PCR 5-18	3			737	1053	197	147	-	54.3
PCR 5-20	3			791	1107	197	147	-	55.5
PCR 5-22	4			845	1171	220	161	-	59.8
PCR 5-24	4			899	1225	220	161	-	60.8
PCR 5-26	4			953	1279	220	161	-	62.7
PCR 5-29	4	1034	1360	220	161	-	64.6		
PCR 5-32	5.5	1145	1507	235	197	300	90.1		
PCR 5-36	5.5	1253	1615	235	197	300	92.6		